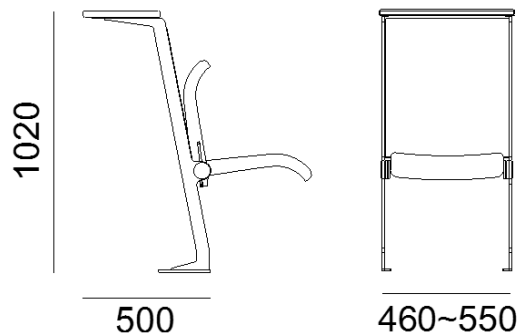
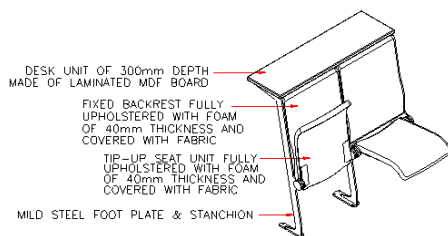


# Apollo Lecture Theatre Seating

The Apollo is the latest iteration of our Apollo range of lecture theatre seats. The Apollo is a compact tip-up seating unit in several aesthetics including a wooden finish, with a wooden reveal and padded seat and back or completely upholstered, all to suit the room aesthetics.

It incorporates flat writing surfaces from 300mm deep upwards. Individual tip-up writing desks are also available - designed to maximise space in all teaching environments.

The contoured seat backs provide lumbar support and promote a correct seating position. The Apollo seating system can optimise student engagement and facilitates a wide range of teaching styles.



- Maximise seating capacity in small or large spaces
- Integrates with and supports technology / digital classrooms
- Allows for maximisation of physical space within a lecture theatre
- Fixed or tip-up desk creates a larger than average working surface

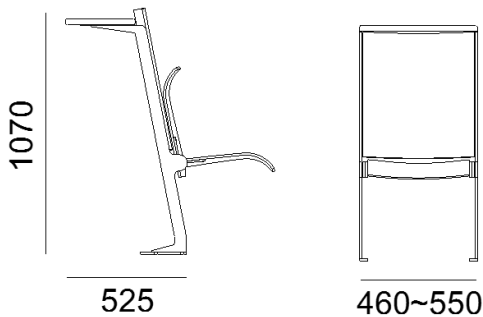
- Easily adapted for disabled provision
- Fully upholstered
- Armrest
- Provision for Data and Power
- Huge range of upholstery options
- PVC Seat numbering
- Embroidered logo / seat numbering

# Apollo Lecture Theatre Seating

---

## DIMENSIONS

Centre to Centre :	460mm to 650mm as required
Backrest Height :	Dependent on riser height
Seat Open Depth :	810mm
Seat Closed Depth:	230mm (ply version) to 510mm (upholstered with tip-up desk)
Seat Height: :	450±10



## DESCRIPTION & SPECIFICATION

### Structure

- Centre and end standards are of lateral pedestal design manufactured from 10mm laser cut steel welded to a 10 mm steel foot.

### Backrest and Seat

- The backrest padding is upholstered with fabric with foam thickness of 200mm to 65mm and density of 45kg/m<sup>3</sup>.
- The rear part of the back rest shall be in wooden outer finish with 6mm to 12mm thickness

### Metal Finishing

- All metal parts exposed shall be stripped and cleaned with iron phosphate, hot water rinsed and then chromic acid rinsed.
- All metal parts are coated with an epoxy finish of at least 60 microns for indoor use.
- Conformity with BS-6496 hardness test.

### Fire Safety

Flammability compliance with BS 5852 : 2006 section 3 ignition source 5