

Paragon 538

The Paragon 538 is a low back seat with a distinctive low level cup holders and sloping armrests.

Available as single fixed or tip-up seat and twin seats with a shared armrest.

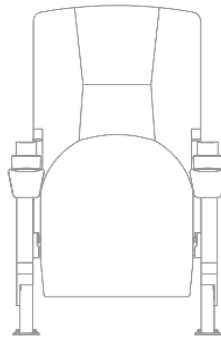
Customisable with a range of cup holders.



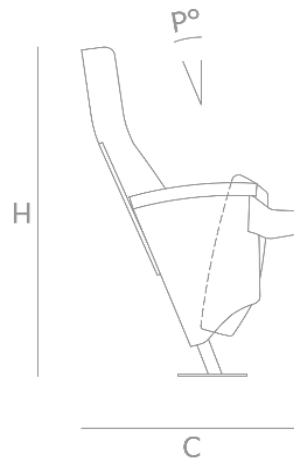
Dimensions		
P°	H (mm)	C (mm)
14°	1060	585
20°	1050	650
26°	1020	730

* APPLICABLE FOR ROCKER BACK ONLY

** APPLICABLE FOR FIXED BACK ONLY



535 560 585 610



C

- Aisle light and row letter plate
- Embroidered logo/numbering
- Seat lettering/numbering
- Variable cup holders
- ¾ Laminated Back Outer
- ProBax – Advanced Seating Technology

Paragon 538

DIMENSIONS

Centre to Centre : 535,560,585 & 610mm

Backrest Height : 1060 mm (Pitch : 14°)

1060 mm (Pitch : 20°)

1020 mm (Pitch : 26°)

Seat Open Depth: 750mm (Pitch : 14°)

800 mm (Pitch : 20°)

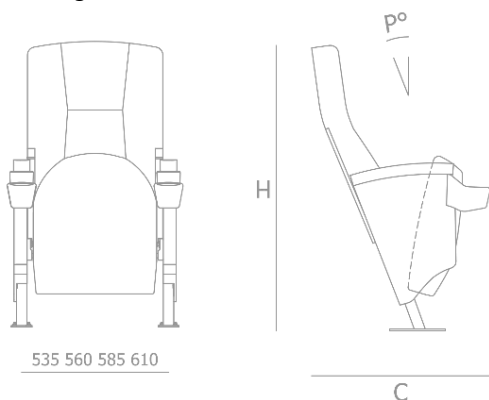
845 mm (Pitch : 26°)

Seat Closed Depth: 680mm (Pitch : 20°)

685mm (Pitch : 23°)

730mm (Pitch : 26°)

Seat Height : 450±10



DESCRIPTION & SPECIFICATION

Structure

- Centre and end standards are of lateral pedestal design made of 38mm x Thk 2.3mm square hollow section continuous welded to a 6 mm thickness steel plate.

Backrest and Seat.

- Trapezoidal shape with headrest, decorative stitching. - Inner panel shall be made of 13 mm thick plywood
- upholstered with HR foam, density 45 kg/m³. - Upholstered with padded cover.
- Fully upholstered outer back
- Rectangular shape with angled edges.
- Inner structure made of Ø21mm tubular steel frame with grid
- foundation, integrated in HR foams, density 60kg/m³
- Upholstered with padded cover, removable by means of a zipper.
- Tip- up seat with counterweight systems and being lift-up by means of gravity. Totally silent and maintenance free.

Armrests

- Fixed, shared armrest with a curved design.
- Decorative aisle panel, made of MDF board and upholstered with padded covers

Metal / Fabric Finishing

- All metal parts exposed shall be stripped and cleaned with iron phosphate, hot water rinsed and then chromic acid rinsed.
- All metal parts are coated with an epoxy finish of at least 60 microns for indoor use and hot dipped GALVANIZED to BS 729 for outdoor use.
- Conformity with BS-6496 hardness test.

Fire Safety

- Flammability compliance with BS 5852 : 2006 section 3 ignition source 5.