

# Premium Verona

---

The ultimate in cinema seating comfort. Performance, practicality and style are beautifully combined to enhance the cinematic experience and exceed the expectations of even the most demanding movie-goers.

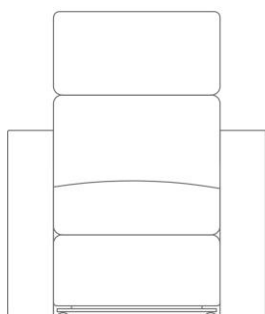
Beautifully crafted and available as a single seater, a twin seat or a link seat with shared armrests, this plush electric recliner has 2 individual motors which control the footrest and backrest separately allowing any user to adjust their reclining position to exactly their own comfort level.

This model has a central processor unit to handle the many functions and safety features.

Numerous features and customisable options include footrest and backrest auto return, integrated tables, lighting, built in cup holders, data points and the easy lift facility for ease of cleaning. The ultimate in premium cinema chairs.



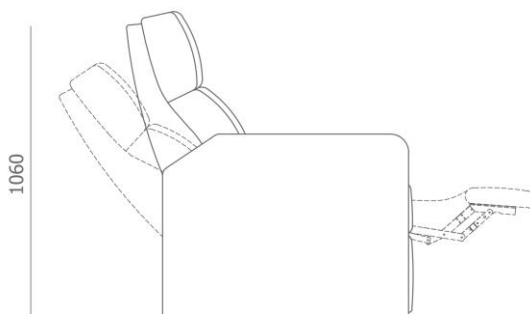
900



750



1690



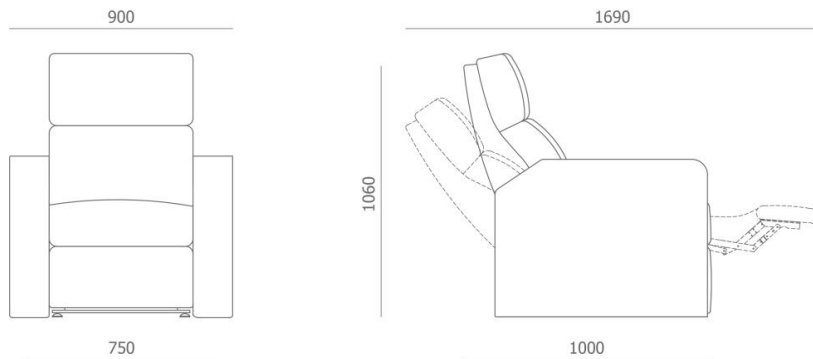
1000

- Aisle light and row letter plate
- Embroidered logo/numbering
- Swivel table
- Dual USB port
- Easy-lift for cleaning
- Embroidery
- Seat lettering/numbering
- Variable cup holders
- Adjustable Light
- LED Seat Numbering

# Premium Verona Recliner

## DIMENSIONS

- Total seat width : 900
- Backrest Height : 1060
- Closed Depth: 1000
- Fully Reclined Depth: 1690
- Seat Height: : 500±10



## DESCRIPTION & SPECIFICATION

### Structure

- Made up of Mild steel hollow section in various sizes like: 50mm x 25mm x Thk. 3mm.

### Backrest and Seat.

- Inner back frame is made of steel structure and wooden frame upholstered with polyurethane HR foam and polyester then, cover with leather.
- Combination of a Wooden Panel frame and a steel frame, upholstered with polyurethane HR foam and polyester then, cover with leather.
- Panel with foam and cover with fabric , it has a cup holder on the front.

### Recliner Mechanism

- Electrically motor operated
- Push force (min. to max.) : 750N – 6000N
- Pull force (min. to max.) : 750N – 4000N
- includes adapter (input: 110V~240V) (output: DC 29V, 1.8A)
- Operating temperature : 0° - 40 °C.
- Compliance with EC 73/023/EWG and EC 89/336/EWG.
- Auto-return function.

### Metal / Fabric Finishing

- Zigzag lever systems that ensure the backrest and footrest being operated smoothly and silent proof.
- All metal parts exposed shall be stripped and cleaned with iron phosphate, hot water rinsed and then chromic acid rinsed.
- All metal parts are coated with an epoxy finish of at least 60 microns for outdoor use. Conformity with BS-6496 hardness test.

### Fire Safety

- Flammability compliance with BS 5852 : 2006 section 3 ignition source 5