

Primera Atlantic

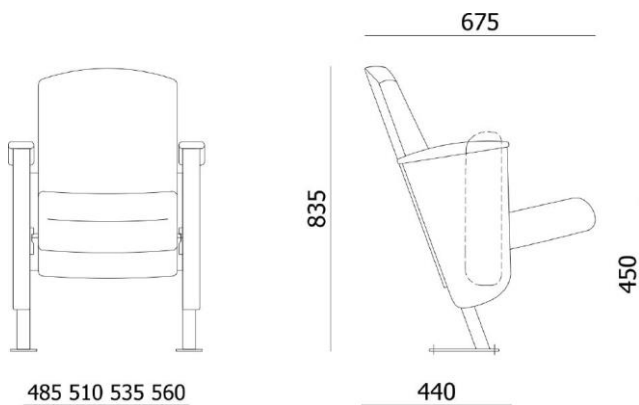
The Atlantic is a chair providing levels of comfort and versatility beyond its compact size.

Ideal for both refurbishments and new projects, the variety of seat centre choices enables clients to maximise seating capacity without compromising on form or function.

Cold cure moulded foam ensures long lasting comfort while the polyurethane armrests will outlast all those in fabric.

The moulded foam cushions wrap the support springs in an airtight cocoon preventing both noise and corrosion.

Its compact envelope allows for ease of access and egress.

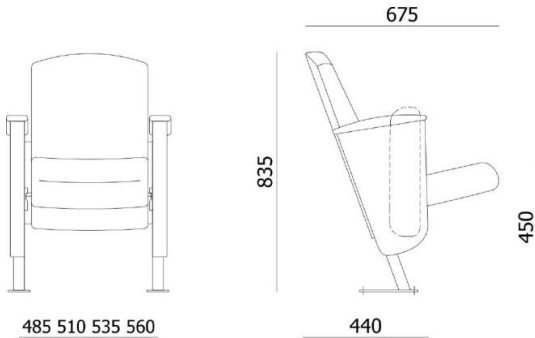


- 4 seat centre choices
- Aisle Light
- PVC numbering
- Embroidery
- Wooden back and seat pan
- Choice of cup holders
- Removable Seating
- Riser Mounted Seating
- Freestanding Seating
- Adjustable feet for sloping floors

Primera Atlantic

DIMENSIONS

- Centre to Centre : 485, 510, 535 & 560mm
- Backrest Height : 835mm (20° Pitch)
- Seat Open Depth: 675mm
- Seat Closed Depth: 440mm
- Seat Height: 450±10



DESCRIPTION & SPECIFICATION

- S.H.S of 38mm X 38mm X 2.3mm thk.. backrest and Seat.
- Cold moulded polyurethane back & seat foam.
Fixed trapezoidal shape with curvature design.
- Fully upholstered rear outer panel
- Inner back ply is made up of 13mm Thick plywood with foam, density 45 kg/m³ and upholstery.

Metal / Fabric Finishing

- All metal parts exposed shall be stripped and cleaned with iron phosphate, hot water rinsed and then chromic acid rinsed.
- All metal parts are coated with an epoxy finish of at least 60 microns for indoor use and hot dipped galvanize to BS729 for outdoor.
- Conformity with BS-6496 hardness test.

Options

- PVC seat numbering
- Wooden armrest
- Arc Multi 2010 armrest
- Wooden end panels
- Aisle light with illuminated row letter
- Oval row letter plate
- Embroidered seat number or Logo
- Free standing / Removable legs

Flammability

- Flammability compliance with BS 5852 : 2006 section 3 ignition source