

Riviera



Summary

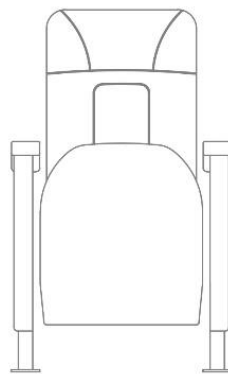
The Riviera is a fully upholstered, luxurious executive style chair developed with ergonomics and comfort in mind.

With a plush high backrest, the Riviera's comfort makes it the perfect seat for VIP guests. Able to incorporate both the concealed tablet arm or the Wrimatic™ tablet this is the paramount seating solution to enhance any sporting venue.

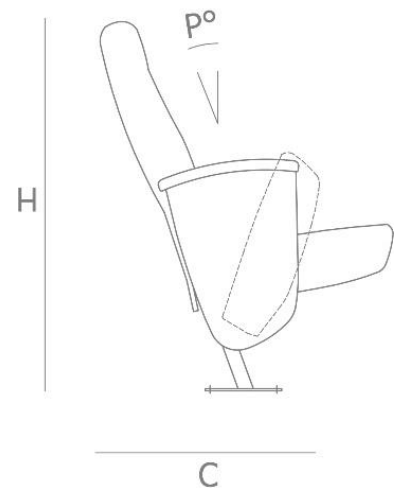
The Riviera has an extensive list of customisable features including built in cupholders and embroidery, perfect for a discerning spectator audience.



DIMENSIONS		
P°	H	C
16°	990	540
20°	980	585



510 535 560 585 610



Riviera



DIMENSIONS

Centre to Centre :	510, 535, 560, 585 & 610mm
Backrest Height :	990mm (Pitch : 16°)
	980mm (Pitch : 20°)
Seat Open Depth:	735mm (Pitch : 16°)
	780mm (Pitch : 20°)
Seat Closed Depth:	540mm (Pitch : 16°)
	585mm (Pitch : 20°)
Seat Height :	450±10

DESCRIPTION & SPECIFICATION

Structure

- Centre and end standards are of lateral pedestal design made of 38mm x Thk 2.3mm square hollow section continuous welded to a 6 mm thickness steel plate.

Backrest and Seat.

- Trapezoidal shape, rounded headrest, with decorative stitching.
- Inner back ply made of 13mm Thick Plywood with HR foam, density 45 kg/m³. Upholstered with padded covers.
- Seat structure integrated with Ø21mm tubular steel frame and HR foams, density 60kg/m³
- Upholstered with padded cover, removable by means of a zipper.
- Tip-up seat with counterweight system and being lift-up by means of gravity. Totally silent and maintenance free.

Armrests

- Fixed, shared armrest with a curved design.
- Made of polyurethane with metal inserts.
- Decorative aisle panel made of MDF board and upholstered with padded covers

Metal / Fabric Finishing

- All metal parts exposed shall be stripped and cleaned with iron phosphate, hot water rinsed and then chromic acid rinsed.
- All metal parts are coated with an epoxy finish of at least 60 microns for indoor use and hot dipped GALVANIZED to BS 729 for outdoor use.
- Conformity with BS-6496 hardness test.
- Standard fabric : Camira Mainline Plus

Options

- PVC seat numbering
- Wooden armrest.
- Wooden aisle panel.
- Aisle light with illuminated row letter. - Embroidered seat number.
- Logo embroidery.
- Row lettering on oval shaped plastic plate
- CTA tablet (available C/C: 560,585 & 610mm)
- Plastic back outer (available C/C: 585 & 610mm)
- Tandem freestanding / Tandem removable legs
- Wooden back outer & seat outer .
- Swing-out A.D.A end panels for disability usage
- Flammability compliance with BS 5852:2006 section 3 ignition source 5.

Advantages

- Comfort especially studied according to fundamental criteria of ergonomic.
- Durability of the chair & after sales service for all spare parts of the model.
- It is developed as the quintessential fixed seating solution.
- Its modular design makes it easy to install and maintain. The simplicity of this chair will provide any venue with modern aesthetics and maximum functionality.
- Large choices of fabrics.

Fire Safety

- Flammability compliance with California Bulletin 117 and international regulations. In their last issues and particularly with safety regulations.

