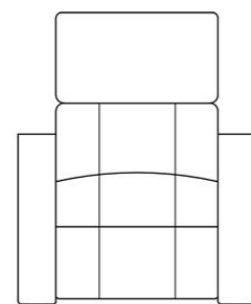
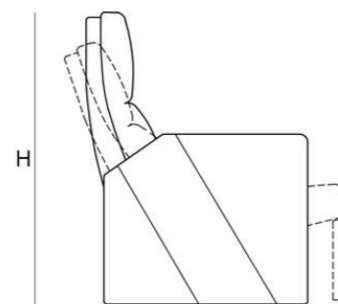




FERCO SEATING ILLUSTRATION ONLY



740 (29.5")



C

DIMENSIONS	
H	C
1080 (42.5")	830 (32.5")

Product Specifications

Structure

- Wooden frames covered with foam, upholstered in leatherette / leather / fabric.

Backrest and Seat

- Inner back frame is made of plywood and solid wood frame padded with polyester then, upholstered in leatherette / leather / fabric.
- Seat unit with 18mm compressed plywood fully covered with high resilience Foam of 115 - 145mm thickness and upholstered in leatherette / leather / fabric.

Panel

- Wooden panel covered with foam, upholstered in leatherette / leather / fabric with a built-in cup holder.

Recliner Mechanism

- Electrically single-motor operated.
- In compliance with EMC 2014/30/EU & LVD 2014/35/EU.
- Auto-return function.
- Push force (max.) : 750N.
- Pull force (max.) : 750N.
- Includes adapter (input) : 110V~240V (output) : DC 29V, 1.8A).
- Operating temperature : 0° - 40 °C.

Metal Finishing

- Zigzag lever systems that ensure the backrest and footrest are being operated smoothly.
- All metal parts exposed shall be stripped and cleaned with iron phosphate, hot water rinsed and then chromic acid rinsed.
- All metal parts are coated with an epoxy finish minimum of 60 microns for outdoor use.

Upholstery Finishing

- Refer Ferco standard fabrics / leatherette / leather chart.

Fire Resistance

- Fire Safety - Flammability compliance with California Bulletin 117 and international regulations in their last issues and particularly with safety regulations.
- Flammability compliance with BS 5852 : 2006 Section 3 Ignition Source 0 & 1.
- Finger Proof - Recliners are attached with finger guard to reduce hazard.

Warranty

- Refer to Ferco product warranty.

Options

- Swivel table A
- Swivel table B
- Double action swivel table
- Dual USB charging port
- Auto return
- Embroidery logo
- Embroidery seat numbering
- Square light row lettering & numbering (80 x 80mm)
- Manual easy lift system
- Puck light
- Fixed backrest
- Twin seat
- Call button
- Flammability compliance with BS 5852 : 2006 Section 3 Ignition Source 5