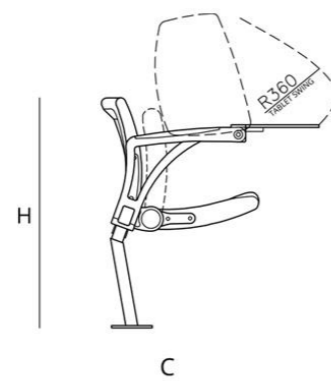
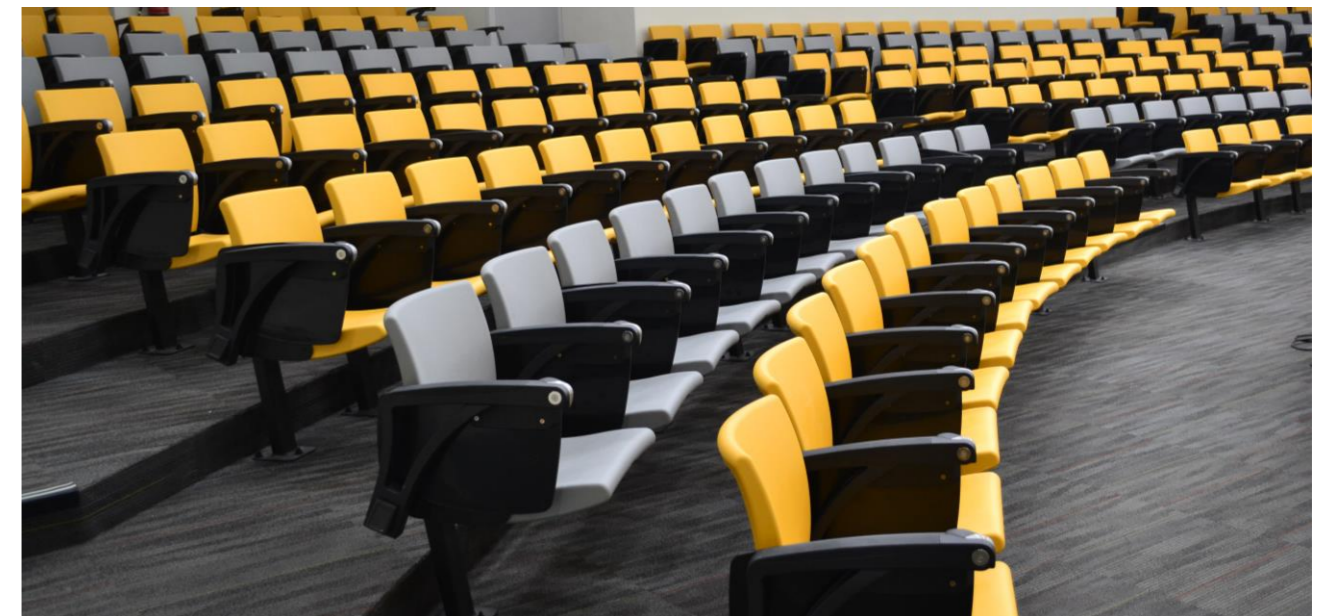


570 (22.5") Min.



DIMENSIONS	
H	C
790 (31")	496 (19.5")



NTU, Singapore

Product Specifications

Structure

- Horizontal beam structure of 60mm X 40mm X 3mm thk.
- Hollow section pedestal with base plate 6mm thickness for riser mounted.
- BS 3692 Specification for ISO metric precision hexagon bolts, screws and nuts. Metric Units.

Backrest & seat

- Blow moulded co-polymer.
- UV Inhibitors are added at a rate to ensure no significant colour or plastic deterioration.
- Beam mounted tip-up seat with ergonomically design back and seat.

Metal Finishing

- All metal parts exposed shall be stripped and cleaned with iron phosphate, hot water rinsed and then chromic acid rinsed.
- All metal parts are coated with an epoxy finish of at least 60 microns for indoor use and hot dipped galvanized to BS 729 for outdoor use.
- Conformity with BS-6496 hardness test.

Plastic

- Refer to Ferco standard plastic charts.

Advantages

- Comfort especially studied according to fundamental criteria of ergonomic.
- Durability of the chair & after sales service for all spare parts of the model.
- Slim profile creating enhance seat way.
- Curved backrest design for maximum comfort.
- "Steel Beam Clamp" concept giving the ease of relocation of seats along the beam.

Fire Safety

- Fire Safety - Flammability compliance with California Bulletin 117 and international regulations in their last issues and particularly with safety regulations.
- Flammability compliance with BS 5852 : 2006 Section 3 Ignition Source 0 & 1.

Warranty

Refer to Ferco product warranty.

Options

- ARC Multi with PU
- ARC Multi Plus
- ARC Multi with cupholder
- ARC Multi Retractable armrest (with spring)
- ARC Multi Retractable armrest (without spring)
- ARC end cap with row numbering / lettering
- ARC seat numbering
- Riser mounted leg
- Flammability compliance with BS 5852 : 2006 Section 3 Ignition Source 5